



GİZEM
MÜHENDİSLİK A.Ş.

P-1305EC 2005A

00 240

ENT

VOLTAGE



















DONG NAM SWL 2T X 2.1-9M

STAY AWAY WHEN
CRANE IS OPERATING

REACHED
13 OCT 2023

TEST 11SP.011
08 JUN 2023
13 OCT 2023

Alternative Transport

DONG NAM

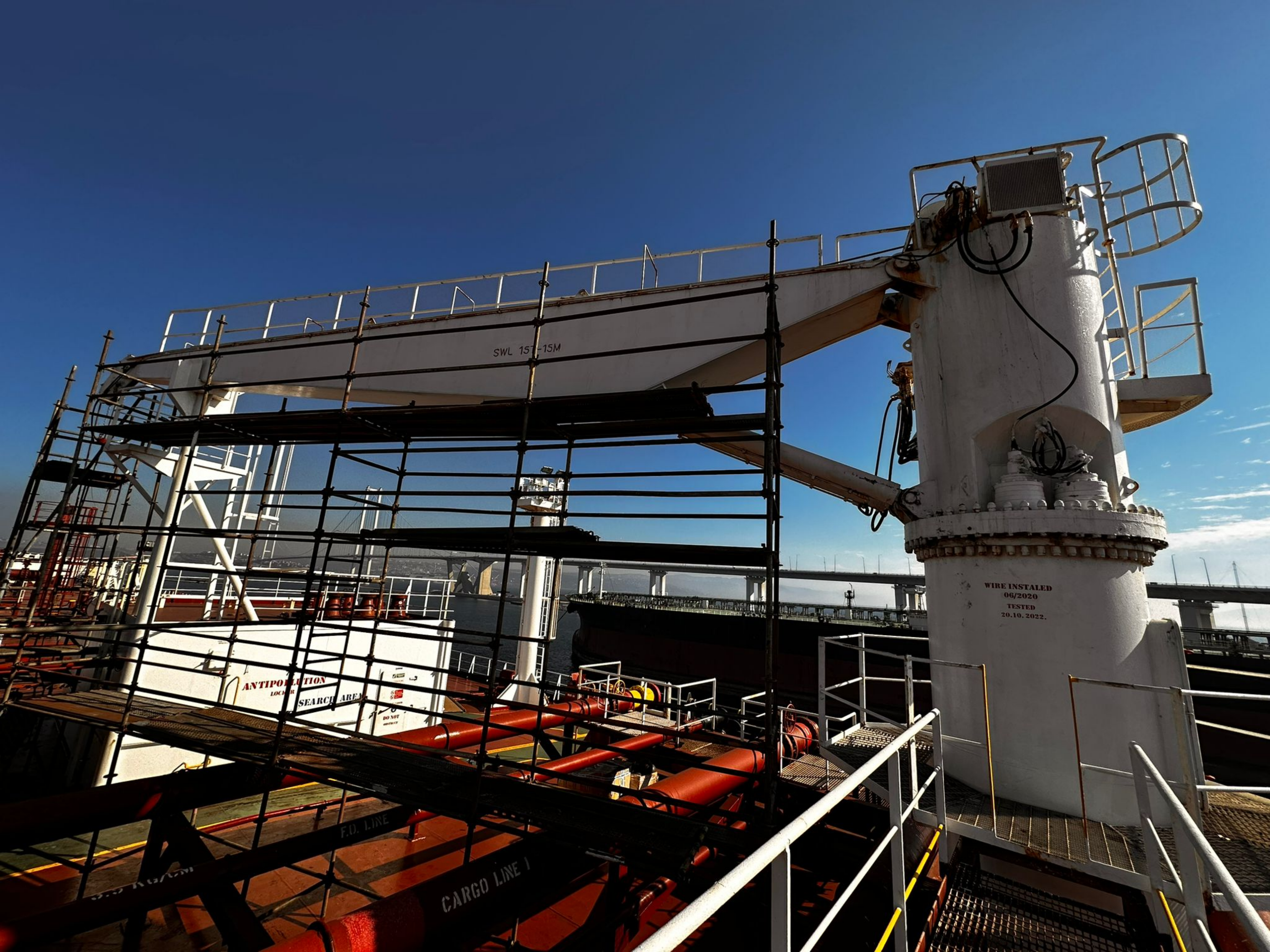
SWL 2TX2.1-9M

SWL 1.35TX2.3-9.95M

WIRE REACHED
26 OCT 2020

LOAD TEST
28 OCT 2020
11SP 00
09 JUN 2023





SWL 15T-15M

WIRE INSTALED
06/2020
TESTED
20.10.2022.

ANTI-POLLUTION
LOCKER

SEARCH AREA

DO NOT
OPEN

F.D. LINE

CARGO LINE 1



NO SMOKING

SAFETY FIRST

18-16

18-16

18-16

18-16

Hizalama

(an) <Görü

sayılan) <<Va

rsayılan) <<Va

rsayılan) <<Va

> (Varsayılan)

> (Varsayılan)

ayılan) <<Varsa

> (Varsayılan<l

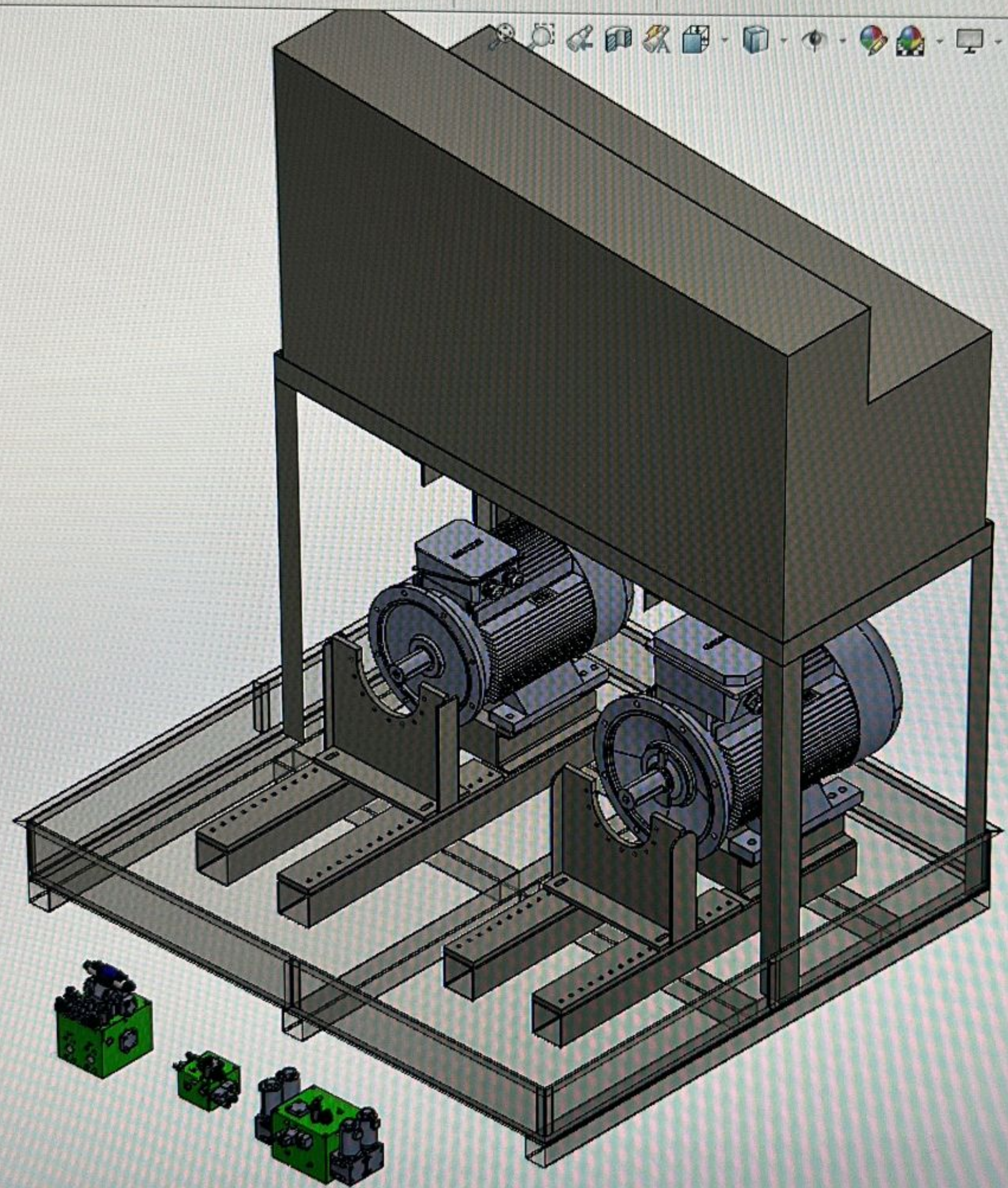
<1> (Varsayılan<

<1> (Varsayılan<l

<1> (Varsayılan<

on<1> (Varsayılar

on132<1> (Varsay





















SWL 15T-15M

AGTA

ANTIPOLLUTION LOCKER

FUEL OIL LINE

LINE N° 1

SWL 15T-15M

AGTA







TESTED
04/2023
WIRE ROPE
RENEWED
11/2018

S/L 187-19V



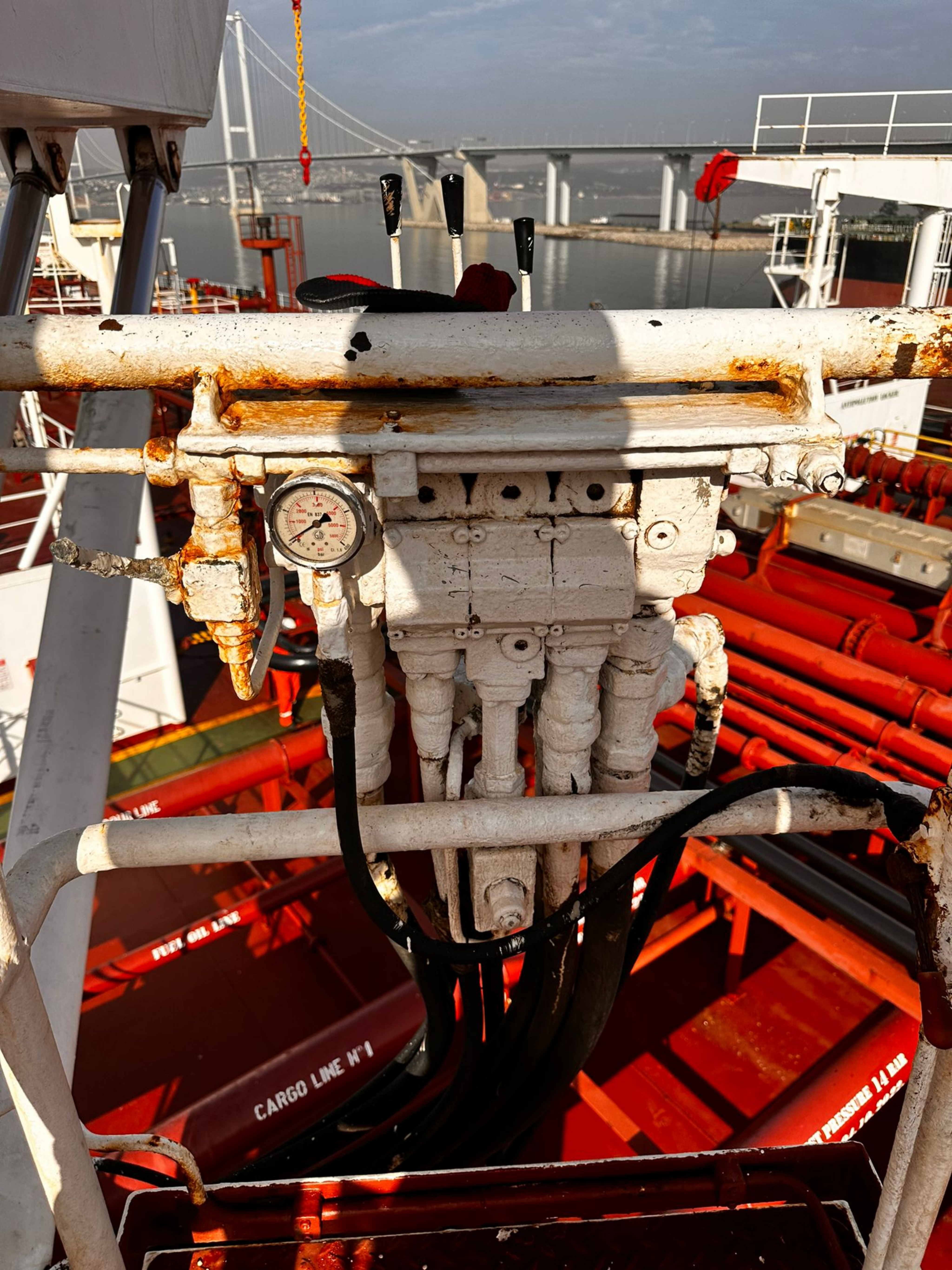
TESTED
10/10/23
10/10/23
10/10/23

HELICOPTER EQUIPMENT

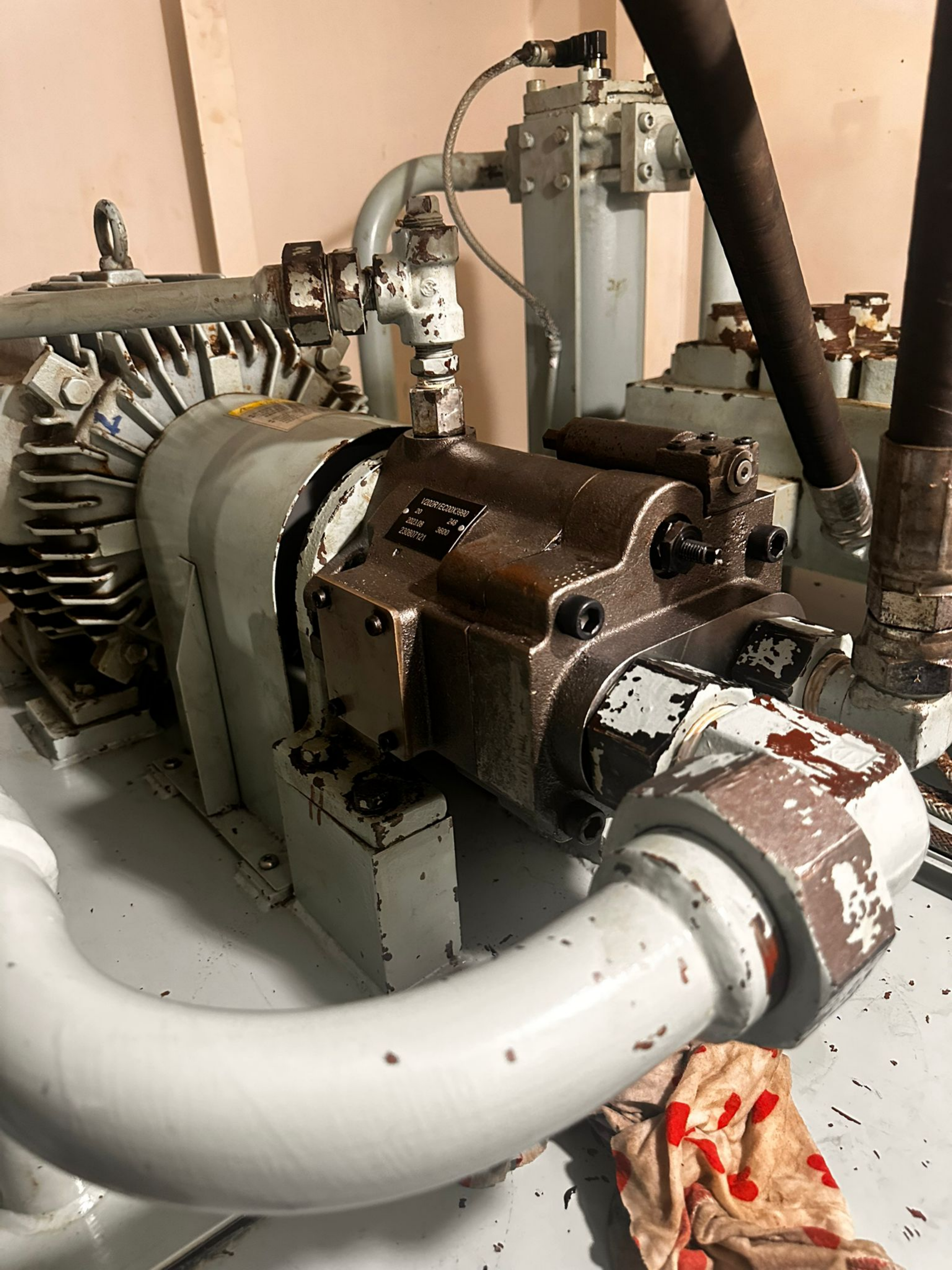
HELICOPTER EQUIPMENT

FOUR

FOUR







V202P1E020X380
20 246
2023.08 3800
230807121



ROTA

No. 2

DELIVERY INCREASE

1. HYDRAULIC PUMP TO 150 PSI

2. FILL TANK WITH OIL TO 150 PSI ON FLUID LEVEL GAUGE

RECOMMENDED RUNNING TEMPERATURE RANGE 10-100°F

3. INSIDE OF TANK AT LEAST 1/2" ABOVE FLUID LEVEL GAUGE

4. ALL CASE WITH HYDRAULIC FLUID THROUGH UPPER MOST DRAIN PORT STARTING HYDRAULIC PUMP. THE CASE MUST BE KEPT FULL ALL TIMES TO PROVIDE THE LUBRICATION.

5. WHEN FIRST STARTING OF PUMP, MUST BLEED AIR FROM OUTLET LINE TO PERMIT NORMAL OPERATION. WHEN AIR REELS OUTLET LINE AFTER START INTERMITTENTLY, BLEEDING LOOSENING AN OUTLET

1. 圧力150 PSIまで上げる

2. タンクを油で150 PSIの流体レベルゲージに満たす

3. タンクの内部は流体レベルゲージの上から少なくとも1/2インチ以上空ける

4. 油圧ポンプを始動する際は、タンクの上部の排水ポートから油を排出し、ポンプを正常に稼働させる。タンクは常に満タンに保たなければならない。

5. タンクを始動する際は、ポンプの排水ポートから油を排出し、ポンプを正常に稼働させる。タンクは常に満タンに保たなければならない。





LIFE IN EMERGENCY
PANEL

PEL





X18
X11
X10
X12

PEL





